



# AR-EN Ltd.

from manufacturer to export

Address:Ahmetpasa cad.Kalender is Merkezi no:41 Kayseri/TURKIYE

Mobile phone:+90 533 659 50 39

**EDE TİPİ YAPIŞTIRMA KÜRESEL SU VANALARI (U-PVC)**  
**EDE TYPE WATER BALL VALVES (U-PVC)**




U-P.V.C. Küresel Su Vanası  
 U-P.V.C. Water Ball Valve  
 Yapıştırma / Solvent

Küre Contası / Seals : **HDPE**  
 O-Ringler / O-Rings : **EPDM**  
**D20 - D63 (1/2" - 2") : PN 16 (240 psi)**  
**D75 - D110 (2" - 4") : PN 10 (150 psi)**

METRİK - METRIC TSE / ISO / DIN		IMPERIAL BS / ANSI / ASTM / AS / NZS				DN mm	AMBALAJ PACKAGE
D mm	KOD CODE	D		KOD CODE			
		INCH	mm				
20	VPVC-020	1/2"	21,3	AVPVC-020	15		12
25	VPVC-025	3/4"	26,9	AVPVC-025	20		12
32	VPVC-032	1"	33,7	AVPVC-032	25		12
40	VPVC-040	1 1/4"	42,4	AVPVC-040	32		12
50	VPVC-050	1 1/2"	48,3	AVPVC-050	40		12
63	VPVC-063	2"	60,3	AVPVC-063	50		12
75	VPVC-075	2 1/2"	75,3	AVPVC-075	65		4
90	VPVC-090	3"	88,9	AVPVC-090	80		4
110	VPVC-110	4"	114,3	AVPVC-110	100		2

 Dişli kutulu Gear box	90	VPVC-090D	3"	88,9	AVPVC-090D	80		4
	110	VPVC-110D	4"	114,3	AVPVC-110D	100		2

**EDE TİPİ BİR TARAFI - İKİ TARAFI DIŞLI KÜRESEL SU VANALARI (U-PVC)**  
**EDE TYPE ONE SIDE - BOTH SIDES THREADED WATER BALL VALVES (U-PVC)**




U-P.V.C. Küresel Su Vanası  
 U-P.V.C. Water Ball Valve  
 Dişli / Female Thread

Küre Contası / Seals : **HDPE**  
 O-Ringler / O-Rings : **EPDM**  
**D20 - D63 (1/2" - 2") : PN 16 (240 psi)**  
**D75 - D110 (2" - 4") : PN 10 (150 psi)**

Dişli kutulu  
Gear box

BİR TARAFI DIŞLI - ONE SIDE THREADED					İKİ TARAFI DIŞLI DOUBLE SIDE THREADED					
METRİK - METRIC TSE / ISO / DIN		IMPERIAL BS / ANSI / ASTM / AS / NZS			FİYAT (€) PRICE (€)	BSP - NPT			DN mm	AMBALAJ PACKAGE
D mm	KOD CODE	D		KOD CODE		D INCH	KOD CODE			
		INCH	mm							
20	VPVC-021	1/2"	21,3	AVPVC-021	6.90	1/2"	VPVC-022		15	12
25	VPVC-026	3/4"	26,9	AVPVC-026	7.20	3/4"	VPVC-027		20	12
32	VPVC-033	1"	33,7	AVPVC-033	8.70	1"	VPVC-034		25	12
40	VPVC-041	1 1/4"	42,4	AVPVC-041	9.30	1 1/4"	VPVC-042		32	12
50	VPVC-051	1 1/2"	48,3	AVPVC-051	10.80	1 1/2"	VPVC-052		40	12
63	VPVC-064	2"	60,3	AVPVC-064	13.40	2"	VPVC-065		50	12
75	VPVC-076	2 1/2"	75,3	AVPVC-076	31.10	2 1/2"	VPVC-077		65	4
90	VPVC-091	3"	88,9	AVPVC-091	41.10	3"	VPVC-092		80	4
110	VPVC-111	4"	114,3	AVPVC-111	61.30	4"	VPVC-112		100	2

 Dişli kutulu Gear box	90	VPVC-091D	3"	88,9	AVPVC-091D	265,10	3"	VPVC-092D	80	4
	110	VPVC-111D	4"	114,3	AVPVC-111D	313,30	4"	VPVC-112D	100	2

- ✓ Standart ürünlerimizde kullandığımız EPDM o-ringler petrol, petrol türevleri ve organik yağlar için uygun değildir. O-ringler değiştirilerek tüm akışkanlar için özel vanalar üretilir.  
 Standard valves with EPDM seal can not be used for petroleum, petroleum derivatives and organic oils.  
 Special valves for all fluids are produced by changing the o-rings.



**EDE TİPİ YAPIŞTIRMA KÜRESEL SU VANALARI (U-PVC)**  
**EDE TYPE WATER BALL VALVES (U-PVC)**



U-P.V.C. Küresel Su Vanası  
U-P.V.C. Water Ball Valve  
Yapıştırma / Solvent

Küre Contası / Seals : HDPE  
O-Ringler / O-Rings : EPDM  
D20 - D63 (½" - 2") : PN 16 (240 psi)  
D75 - D110 (2" - 4") : PN 10 (150 psi)

METRİK - METRIC TSE / ISO / DIN		IMPERIAL BS / ANSI / ASTM / AS / NZS					
D mm	KOD CODE	D		KOD CODE	DN mm		AMBALAJ PACKAGE
		INCH	mm				
20	VPVC-020	1/2"	21,3	AVPVC-020	15		12
25	VPVC-025	3/4"	26,9	AVPVC-025	20		12
32	VPVC-032	1"	33,7	AVPVC-032	25		12
40	VPVC-040	1 1/4"	42,4	AVPVC-040	32		12
50	VPVC-050	1 1/2"	48,3	AVPVC-050	40		12
63	VPVC-063	2"	60,3	AVPVC-063	50		12
75	VPVC-075	2 1/2"	75,3	AVPVC-075	65		4
90	VPVC-090	3"	88,9	AVPVC-090	80		4
110	VPVC-110	4"	114,3	AVPVC-110	100		2
90	VPVC-090D	3"	88,9	AVPVC-090D	80		4
110	VPVC-110D	4"	114,3	AVPVC-110D	100		2

Dişli kutulu  
Gear box



**EDE TİPİ BİR TARAFI - İKİ TARAFI DİŞLİ KÜRESEL SU VANALARI (U-PVC)**  
**EDE TYPE ONE SIDE - BOTH SIDES THREADED WATER BALL VALVES (U-PVC)**



U-P.V.C. Küresel Su Vanası  
U-P.V.C. Water Ball Valve  
Dişli / Female Thread

Küre Contası / Seals : HDPE  
O-Ringler / O-Rings : EPDM  
D20 - D63 (½" - 2") : PN 16 (240 psi)  
D75 - D110 (2" - 4") : PN 10 (150 psi)

BİR TARAFI DİŞLİ - ONE SIDE THREADED		İKİ TARAFI DİŞLİ DOUBLE SIDE THREADED							
METRİK - METRIC TSE / ISO / DIN		IMPERIAL BS / ANSI / ASTM / AS / NZS		FİYAT PRICE (€)	BSP - NPT		DN mm	AMBALAJ PACKAGE	
D mm	KOD CODE	D			KOD CODE	D INCH			KOD CODE
		INCH	mm						
20	VPVC-021	1/2"	21,3	AVPVC-021	6.90	1/2"	VPVC-022	15	12
25	VPVC-026	3/4"	26,9	AVPVC-026	7.20	3/4"	VPVC-027	20	12
32	VPVC-033	1"	33,7	AVPVC-033	8.70	1"	VPVC-034	25	12
40	VPVC-041	1 1/4"	42,4	AVPVC-041	9.30	1 1/4"	VPVC-042	32	12
50	VPVC-051	1 1/2"	48,3	AVPVC-051	10.80	1 1/2"	VPVC-052	40	12
63	VPVC-064	2"	60,3	AVPVC-064	13.40	2"	VPVC-065	50	12
75	VPVC-076	2 1/2"	75,3	AVPVC-076	31.10	2 1/2"	VPVC-077	65	4
90	VPVC-091	3"	88,9	AVPVC-091	41.10	3"	VPVC-092	80	4
110	VPVC-111	4"	114,3	AVPVC-111	61.30	4"	VPVC-112	100	2
90	VPVC-091D	3"	88,9	AVPVC-091D	265,10	3"	VPVC-092D	80	4
110	VPVC-111D	4"	114,3	AVPVC-111D	313,30	4"	VPVC-112D	100	2

Dişli kutulu  
Gear box



- ✓ Standart ürünlerimizde kullandığımız EPDM o-ringler petrol, petrol türevleri ve organik yağlar için uygun değildir. O-ringler değiştirilerek tüm akışkanlar için özel vanalar üretilir.  
Standard valves with EPDM seal can not be used for petroleum, petroleum derivatives and organic oils. Special valves for all fluids are produced by changing the o-rings.



**(U-PVC) YAPIŞTIRMA TİP DÖRT AYAKLI YAYLI ÇEKVALFLER**  
**(U-PVC) BONDING TYPE FOUR-LEGGED SPRING CHECK VALVES**



- Dört ayaklı özel dizayn  
*Specially designed four-legs*
- Düşük direnç, tam geçiş  
*Low resistance, exact transition*
- Kesin sızdırmazlık  
*Absolute leakproofing*
- Standart 302 yay; özel istek, 316 ve titanyum  
*Standard 302 spring; special option, 316 and titanium*

METRİK - METRIC TSE / ISO / DIN		IMPERIAL BS / ANSI / ASTM / AS / NZS						AMBALAJ PACKAGE
D	KOD CODE	D		KOD CODE	DN	PN		
mm		INCH	mm		mm	Bar		
20	ÇPVC-020	1/2"	21,3	AÇPVC-020	15	16	12	
25	ÇPVC-025	3/4"	26,9	AÇPVC-025	20	16	12	
32	ÇPVC-032	1"	33,7	AÇPVC-032	25	16	12	
40	ÇPVC-040	1 1/4"	42,4	AÇPVC-040	32	16	12	
50	ÇPVC-050	1 1/2"	48,3	AÇPVC-050	40	16	12	
63	ÇPVC-063	2"	60,3	AÇPVC-063	50	16	12	
75	ÇPVC-075	2 1/2"	75,3	AÇPVC-075	65	10	4	
90	ÇPVC-090	3"	88,9	AÇPVC-090	80	10	4	
110	ÇPVC-110	4"	114,3	AÇPVC-110	100	10	2	

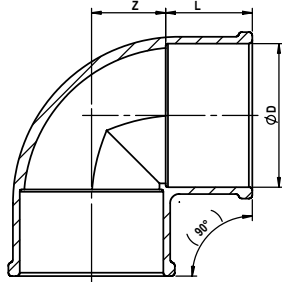
- ✓ Standart ürünlerimizde kullandığımız EPDM o-ringler petrol, pertol türevleri ve organik yağlar için uygun değildir. O-ringler değiştirilerek tüm akışkanlar için özel vanalar üretilir.  
*Standard valves with EPDM seal can not be used for petroleum, petroleum derivates and organic oils. Special valves for all fluids are produced by changing the o-rings.*



## 90° DERECE DİRSEK

### 90° ELBOW

- ✓ Metrik yapıştırma soketli  
Metric female solvent socket



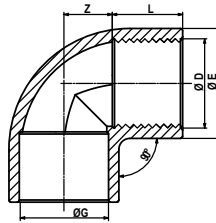
D		KOD CODE	PN	L	Z	Ambalaj Package
MM	INC					
20	1/2"	F90-020	16	16	11	650
25	3/4"	F90-025	16	19	13,5	300
32	1"	F90-032	16	22	17	170
40	1 1/4"	F90-040	16	26	21	80
50	1 1/2"	F90-050	10	31	26	150
63	2"	F90-063	10	38	32,5	70
75	2 1/2"	F90-075	10	44	38,5	40
90	3"	F90-090	10	51	46	30
110	4"	F90-110	10	61	56	30
125	4 1/2"	F90-125	10	69	63	20
140	5"	F90-140	10	76	71	15
160	6"	F90-160	10	86	81	12
200	7"	F90-200	10	106	100	8
225	8"	F90-225	10	119	113	6
250	9"	F90-250	10	131	188	2
280	10"	F90-280	10	147	210	2
315	12"	F90-315	10	164	236	1
355	14"	F90-355	10	184	-	1
400	16"	F90-400	10	206	-	1

Tüm ürünlerimiz enjeksiyondur.  
All our products are manufactured by injection.

## 90° DERECE TEK TARAFI DİŞLİ DİRSEK

### 90° ELBOW (ONE SIDE THREADED)

- ✓ Metrik yapıştırma soketli  
Metric female solvent socket
- ✓ BSP İç Dişli  
BSP female thread socket



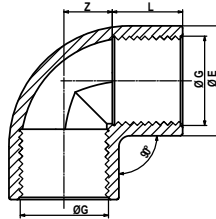
D	G	KOD CODE	PN	L	Z	E
MM	INC					
20	1/2"	F90-021	16	16	11	25
25	3/4"	F90-026	16	19	13,5	32
32	1"	F90-033	16	22	17	40
40	1 1/4"	F90-041	16	26	21	50

Tüm ürünlerimiz enjeksiyondur.  
All our products are manufactured by injection.

## 90° DERECE İKİ TARAFI DİŞLİ DİRSEK

### 90° ELBOW (TWO SIDE THREADED)

- ✓ BSP İç Dişli  
BSP female thread socket



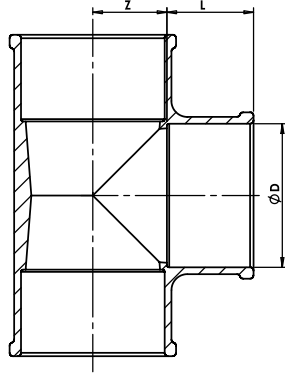
D	G	KOD CODE	PN	L	Z	E
MM	INC					
20	1/2"	F90-022	16	16	11	25
25	3/4"	F90-027	16	19	13,5	32
32	1"	F90-034	16	22	17	40
40	1 1/4"	F90-042	16	26	21	50

Tüm ürünlerimiz enjeksiyondur.  
All our products are manufactured by injection.



## TE TEE

- ✓ Metrik yapıştırma soketli  
Metric female solvent socket

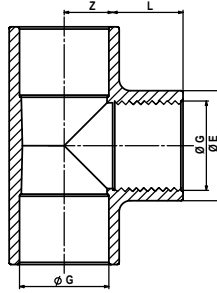


D		KOD CODE	PN	L	Z	Ambalaj Package
MM	INC					
20	1/2"	FTE-020	16	16	11	400
25	3/4"	FTE-025	16	19	13,5	200
32	1"	FTE-032	16	22	17	100
40	1 1/4"	FTE-040	16	26	21	50
50	1 1/2"	FTE-050	10	31	26	90
63	2"	FTE-063	10	38	32,5	50
75	2 1/2"	FTE-075	10	44	38,5	30
90	3"	FTE-090	10	51	46	20
110	4"	FTE-110	10	61	56	25
125	4 1/2"	FTE-125	10	69	63	16
140	5"	FTE-140	10	76	71	10
160	6"	FTE-160	10	86	81	8
200	7"	FTE-200	10	106	100	5
225	8"	FTE-225	10	119	113	4
250	9"	FTE-250	10	131	128	2
280	10"	FTE-280	10	147	144	2
315	12"	FTE-315	10	164	162	1
355	14"	FTE-355	10	184	-	1
400	16"	FTE-400	10	206	-	1

Tüm ürünlerimiz enjeksiyondur.  
All our products are manufactured by injection.

## TEK TARAĞI DİŐLİ TE TEE (ONE SIDE THREADED)

- ✓ Metrik yapıştırma soketli  
Metric female solvent socket
- ✓ BSP İç Diőli  
BSP female thread socket



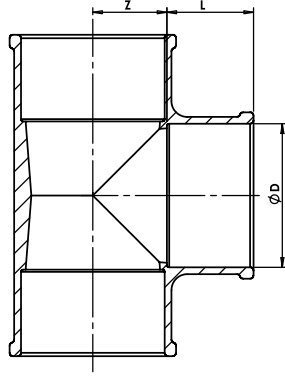
D	G	KOD CODE	PN	L	Z	E
MM	INC					
20	1/2"	FTE-021	16	16	11	25
25	3/4"	FTE-026	16	19	13,5	32
32	1"	FTE-033	16	22	17	40
40	1 1/4"	FTE-041	16	26	21	50

Tüm ürünlerimiz enjeksiyondur.  
All our products are manufactured by injection.



## TE TEE

- ✓ Metrik yapıştırma soketli  
Metric female solvent socket

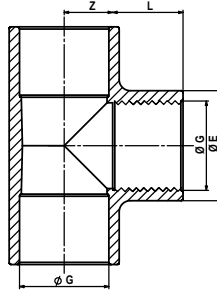


D		KOD CODE	PN	L	Z	Ambalaj Package
MM	INC					
20	1/2"	FTE-020	16	16	11	400
25	3/4"	FTE-025	16	19	13,5	200
32	1"	FTE-032	16	22	17	100
40	1 1/4"	FTE-040	16	26	21	50
50	1 1/2"	FTE-050	10	31	26	90
63	2"	FTE-063	10	38	32,5	50
75	2 1/2"	FTE-075	10	44	38,5	30
90	3"	FTE-090	10	51	46	20
110	4"	FTE-110	10	61	56	25
125	4 1/2"	FTE-125	10	69	63	16
140	5"	FTE-140	10	76	71	10
160	6"	FTE-160	10	86	81	8
200	7"	FTE-200	10	106	100	5
225	8"	FTE-225	10	119	113	4
250	9"	FTE-250	10	131	128	2
280	10"	FTE-280	10	147	144	2
315	12"	FTE-315	10	164	162	1
355	14"	FTE-355	10	184	-	1
400	16"	FTE-400	10	206	-	1

Tüm ürünlerimiz enjeksiyondur.  
All our products are manufactured by injection.

## TEK TARAFI DİŞLİ TE TEE (ONE SIDE THREADED)

- ✓ Metrik yapıştırma soketli  
Metric female solvent socket
- ✓ BSP İç Dişli  
BSP female thread socket



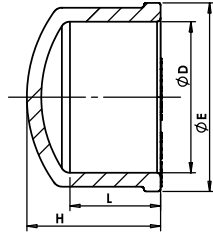
D	G	KOD CODE	PN	L	Z	E
MM	INC					
20	1/2"	FTE-021	16	16	11	25
25	3/4"	FTE-026	16	19	13,5	32
32	1"	FTE-033	16	22	17	40
40	1 1/4"	FTE-041	16	26	21	50

Tüm ürünlerimiz enjeksiyondur.  
All our products are manufactured by injection.



## KÖR TAPA CAP

- ✓ Metrik yapıştırma soketli  
Metric female solvent socket

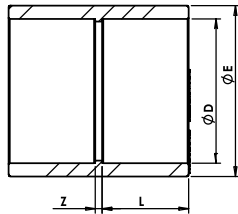


D		KOD CODE	PN	L	H	E	Ambalaj Package
MM	INC						
20	1/2"	FKT-020	16	16	24	27	1200
25	3/4"	FKT-025	16	19	29	32	800
32	1"	FKT-032	16	22	32	41	400
40	1 1/4"	FKT-040	16	26	40	54	250
50	1 1/2"	FKT-050	16	31	45	64	130
63	2"	FKT-063	16	38	56	79	60
75	2 1/2"	FKT-075	16	44	66	93	35
90	3"	FKT-090	16	51	76,5	110	20
110	4"	FKT-110	16	61	92	133	15
125	4 1/2"	FKT-125	10	69	115	144	32
140	5"	FKT-140	10	76	122	161,5	20
160	6"	FKT-160	10	86	140	185	12
200	7"	FKT-200	10	106	173	230	6
225	8"	FKT-225	10	119	196,5	260	10
250	9"	FKT-250	10	131	210	289	1
280	10"	FKT-280	10	147	240	320,5	1
315	12"	FKT-315	10	164	262	358	1
* 355	14"	FKT-355K	10	184	-	-	2
* 400	16"	FKT-400K	10	206	-	-	2

\* Konfeksiyon / Hand made

## MANŞON MUFF

- ✓ Metrik yapıştırma soketli  
Metric female solvent socket



D		KOD CODE	PN	L	Z	E	Ambalaj Package
MM	INC						
20	1/2"	FMN-020	16	16	3	26	900
25	3/4"	FMN-025	16	19	3	31	450
32	1"	FMN-032	16	22	3	38	250
40	1 1/4"	FMN-040	16	26	3	48	140
50	1 1/2"	FMN-050	16	31	3	60	75
63	2"	FMN-063	16	38	3	75	35
75	2 1/2"	FMN-075	16	44	4	89	25
90	3"	FMN-090	16	51	5	106	15
110	4"	FMN-110	16	61	6	127	28
125	4 1/2"	FMN-125	16	69	6	140	36
140	5"	FMN-140	16	76	8	160	30
160	6"	FMN-160	16	86	8	187	20
200	7"	FMN-200	10	106	10	228	10
225	8"	FMN-225	10	119	10	252	6
250	9"	FMN-250	10	131	10	286	1
280	10"	FMN-280	10	147	10	320	1
315	12"	FMN-315	10	164	12	355	1
355	14"	FMN-355	10	184	-	-	1
400	16"	FMN-400	10	206	7	432	1

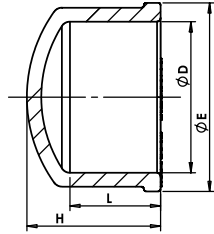
Tüm ürünlerimiz enjeksiyondur.  
All our products are manufactured by injection.





## KÖR TAPA CAP

- ✓ Metrik yapıştırma soketli  
Metric female solvent socket

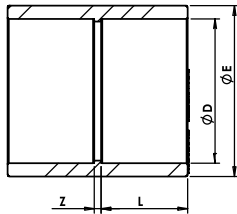


D		KOD CODE	PN	L	H	E	Ambalaj Package
MM	INC						
20	1/2"	FKT-020	16	16	24	27	1200
25	3/4"	FKT-025	16	19	29	32	800
32	1"	FKT-032	16	22	32	41	400
40	1 1/4"	FKT-040	16	26	40	54	250
50	1 1/2"	FKT-050	16	31	45	64	130
63	2"	FKT-063	16	38	56	79	60
75	2 1/2"	FKT-075	16	44	66	93	35
90	3"	FKT-090	16	51	76,5	110	20
110	4"	FKT-110	16	61	92	133	15
125	4 1/2"	FKT-125	10	69	115	144	32
140	5"	FKT-140	10	76	122	161,5	20
160	6"	FKT-160	10	86	140	185	12
200	7"	FKT-200	10	106	173	230	6
225	8"	FKT-225	10	119	196,5	260	10
250	9"	FKT-250	10	131	210	289	1
280	10"	FKT-280	10	147	240	320,5	1
315	12"	FKT-315	10	164	262	358	1
* 355	14"	FKT-355K	10	184	-	-	2
* 400	16"	FKT-400K	10	206	-	-	2

\* Konfeksiyon / Hand made

## MANŞON MUFF

- ✓ Metrik yapıştırma soketli  
Metric female solvent socket

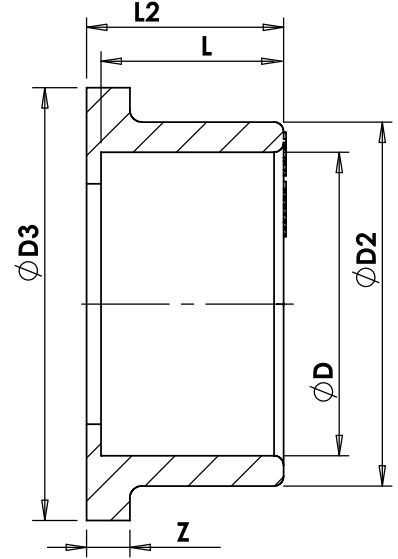


D		KOD CODE	PN	L	Z	E	Ambalaj Package
MM	INC						
20	1/2"	FMN-020	16	16	3	26	900
25	3/4"	FMN-025	16	19	3	31	450
32	1"	FMN-032	16	22	3	38	250
40	1 1/4"	FMN-040	16	26	3	48	140
50	1 1/2"	FMN-050	16	31	3	60	75
63	2"	FMN-063	16	38	3	75	35
75	2 1/2"	FMN-075	16	44	4	89	25
90	3"	FMN-090	16	51	5	106	15
110	4"	FMN-110	16	61	6	127	28
125	4 1/2"	FMN-125	16	69	6	140	36
140	5"	FMN-140	16	76	8	160	30
160	6"	FMN-160	16	86	8	187	20
200	7"	FMN-200	10	106	10	228	10
225	8"	FMN-225	10	119	10	252	6
250	9"	FMN-250	10	131	10	286	1
280	10"	FMN-280	10	147	10	320	1
315	12"	FMN-315	10	164	12	355	1
355	14"	FMN-355	10	184	-	-	1
400	16"	FMN-400	10	206	7	432	1

Tüm ürünlerimiz enjeksiyondur.  
All our products are manufactured by injection.



# KOLE COLE



✓ Metrik ve BSP  
yapıştırma soketli  
Metric and BSP  
female solvent socket

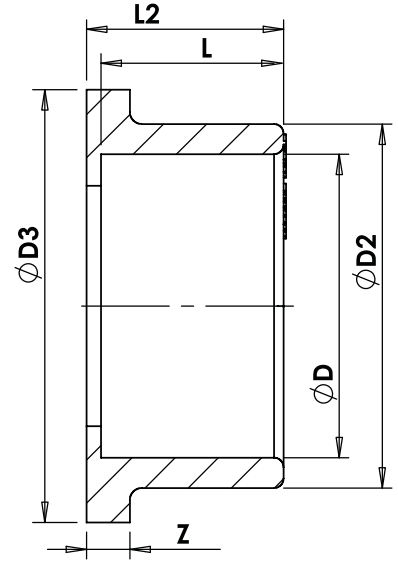
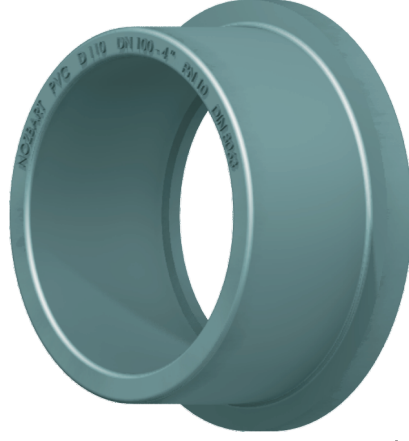
## U-PVC

METRİK-METRIC TSE / ISO / DIN		IMPERIAL BS / ANSI / ASTM			AUSTRALIA / NEW ZEALAND AS / NZS			DN mm	L	L2	Z	D2	D3
D mm	KOD CODE	D INCH	D mm	KOD CODE	D mm	KOD CODE							
20	FKL-020	1/2"	21.3	AFKL-020	21.3	AFKL-020	15	16	19	6	27	34	
25	FKL-025	3/4"	26.9	AFKL-025	26.9	AFKL-025	20	19	21	7	33	41	
32	FKL-032	1"	33.7	AFKL-032	33.7	AFKL-032	25	22	25	7	41	50	
40	FKL-040	1 1/4"	42.4	AFKL-040	42.4	AFKL-040	32	26	29	8	50	61	
50	FKL-050	1 1/2"	48.3	AFKL-050	48.3	AFKL-050	40	31	34	8	61	73	
63	FKL-063	2"	60.3	AFKL-063	60.3	AFKL-063	50	38	41	9	76	90	
75	FKL-075	2 1/2"	75.3	AFKL-075	75.3	AFKL-075	65	44	47	10	90	106	
90	FKL-090	3"	88.9	AFKL-090	88.9	AFKL-090	80	51	56	11	108	125	
110	FKL-110	4"	114.3	AFKL-110	114.3	AFKL-110	100	61	66	12	131	150	
125	FKL-125	-	-	-	-	-	110	69	74	13	148	170	
140	FKL-140	5"	140.3	AFKL-140	140.0	FKL-140	125	76	81	14	165	188	
160	FKL-160	6"	168.3	AFKL-160	160.0	FKL-160	150	86	91	16	188	213	
200	FKL-200	7"	193.7	AFKL-200	200.0	FKL-200	175	106	118	24	224	250	
225	FKL-225	8"	219.1	AFKL-225	225.0	FKL-225	200	119	125	25	248	270	
250	FKL-250	9"	244.5	AFKL-250	250.0	FKL-250	225	131	140	27	274	328	
280	FKL-280	10"	273.0	AFKL-280	280.0	FKL-280	250	147	157	32	307	325	
315	FKL-315	12"	323.9	AFKL-315	315.0	FKL-315	300	164	181	32	346	378	
355	FKL-355	14"	355.6	AFKL-355	355.0	FKL-355	350	184	212	35	382	430	
400	FKL-400	16"	406.4	AFKL-400	400.0	FKL-400	400	206	231	35	433	482	

Tüm ürünlerimiz enjeksiyondur.  
All our products are manufactured by injection.



# KOLE COLE



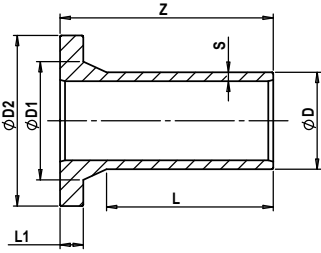
✓ Metrik ve BSP  
yapıştırma soketli  
Metric and BSP  
female solvent socket

## U-PVC

METRİK-METRIC TSE / ISO / DIN		IMPERIAL BS / ANSI / ASTM			AUSTRALIA / NEW ZEALAND AS / NZS			DN mm	L	L2	Z	D2	D3
D mm	KOD CODE	D INCH	D mm	KOD CODE	D mm	KOD CODE							
20	FKL-020	1/2"	21.3	AFKL-020	21.3	AFKL-020	15	16	19	6	27	34	
25	FKL-025	3/4"	26.9	AFKL-025	26.9	AFKL-025	20	19	21	7	33	41	
32	FKL-032	1"	33.7	AFKL-032	33.7	AFKL-032	25	22	25	7	41	50	
40	FKL-040	1 1/4"	42.4	AFKL-040	42.4	AFKL-040	32	26	29	8	50	61	
50	FKL-050	1 1/2"	48.3	AFKL-050	48.3	AFKL-050	40	31	34	8	61	73	
63	FKL-063	2"	60.3	AFKL-063	60.3	AFKL-063	50	38	41	9	76	90	
75	FKL-075	2 1/2"	75.3	AFKL-075	75.3	AFKL-075	65	44	47	10	90	106	
90	FKL-090	3"	88.9	AFKL-090	88.9	AFKL-090	80	51	56	11	108	125	
110	FKL-110	4"	114.3	AFKL-110	114.3	AFKL-110	100	61	66	12	131	150	
125	FKL-125	-	-	-	-	-	110	69	74	13	148	170	
140	FKL-140	5"	140.3	AFKL-140	140.0	FKL-140	125	76	81	14	165	188	
160	FKL-160	6"	168.3	AFKL-160	160.0	FKL-160	150	86	91	16	188	213	
200	FKL-200	7"	193.7	AFKL-200	200.0	FKL-200	175	106	118	24	224	250	
225	FKL-225	8"	219.1	AFKL-225	225.0	FKL-225	200	119	125	25	248	270	
250	FKL-250	9"	244.5	AFKL-250	250.0	FKL-250	225	131	140	27	274	328	
280	FKL-280	10"	273.0	AFKL-280	280.0	FKL-280	250	147	157	32	307	325	
315	FKL-315	12"	323.9	AFKL-315	315.0	FKL-315	300	164	181	32	346	378	
355	FKL-355	14"	355.6	AFKL-355	355.0	FKL-355	350	184	212	35	382	430	
400	FKL-400	16"	406.4	AFKL-400	400.0	FKL-400	400	206	231	35	433	482	

Tüm ürünlerimiz enjeksiyondur.  
All our products are manufactured by injection.

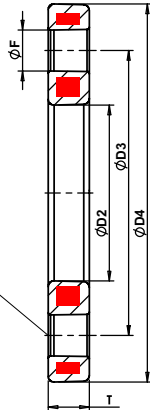
## PE FLANŞ ADAPTÖRÜ PE FLANGE ADAPTOR



D		KOD CODE	PN	D1	D2	L	L1	Z	S	Ambalaj Package
MM	INC									
20	1/2"	PEKL-020	16	28	45	41	7	76	3,0	100
25	3/4"	PEKL-025	16	34	58	41	9	81	3,0	50
32	1"	PEKL-032	16	42	68	44	10	85	3,0	40
40	1 1/4"	PEKL-040	16	48	78	49	11	88	3,7	70
50	1 1/2"	PEKL-050	16	58	88	55	12	92	4,6	50
63	2"	PEKL-063	10	78	102	63	14	98	3,8	60
75	2 1/2"	PEKL-075	10	92	122	70	16	107	4,5	60
90	3"	PEKL-090	10	108	138	79	17	116	5,4	45
110	4"	PEKL-110	10	128	158	82	17	128	6,6	24
125	4 1/2"	PEKL-125	10	135	158	87	18	132	7,4	16
140	5"	PEKL-140	10	158	188	92	18	142	8,3	12
160	6"	PEKL-160	10	178	212	98	18	145	9,5	12
200	7"	PEKL-200	10	235	268	112	24	174	11,9	4
225	8"	PEKL-225	10	238	268	120	24	179	13,4	4
250	9"	PEKL-250	10	288	320	129	25	195	14,8	2
280	10"	PEKL-280	10	294	320	139	25	205	16,6	2
315	12"	PEKL-315	10	338	370	150	25	216	18,7	2
355	14"	PEKL-355	10	376	430	164	30	233	21,1	1
400	16"	PEKL-400	10	430	480	179	33	246	23,7	1

Tüm ürünlerimiz enjeksiyondur.  
All our products are manufactured by injection.

## PP KAPLI ÇELİK FLANŞ PP FLANGE WITH STEEL CORE



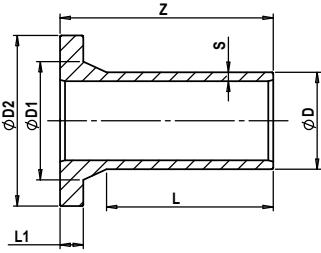
n = Civata Deliği (Drill)

D		KOD CODE	PN	D2	D3	D4	T	F	n	Ambalaj Package
MM	INC									
20	1/2"	PEFL-020	16	28	65	95	12	14	4	85
25	3/4"	PEFL-025	16	34	75	105	12	14	4	68
32	1"	PEFL-032	16	42	85	115	16	14	4	52
40	1 1/4"	PEFL-040	16	51	100	140	16	18	4	20
50	1 1/2"	PEFL-050	16	62	110	150	18	18	4	15
63	2"	PEFL-063	16	78	125	165	18	18	4	15
75	2 1/2"	PEFL-075	16	92	145	188	18	18	4	15
90	3"	PEFL-090	16	108	160	204	20	18	8	10
110	4"	PEFL-110	16	128	180	224	20	18	8	10
125	4 1/2"	PEFL-125	16	135	180	224	20	18	8	10
140	5"	PEFL-140	16	158	210	252	24	18	8	6
160	6"	PEFL-160	16	178	240	285	24	22	8	6
200	7"	PEFL-200	10	188	295	340	24	22	8	4
225	8"	PEFL-225	10	235	295	340	27	22	8	4
250	9"	PEFL-250	10	238	350	395	27	22	12	4
280	10"	PEFL-280	10	288	350	395	30	22	12	4
315	12"	PEFL-315	10	294	400	445	30	22	12	2
355	14"	PEFL-355	10	338	460	514	34	22	16	1
400	16"	PEFL-400	10	376	515	571	40	22	16	1

Tüm ürünlerimiz enjeksiyondur.  
All our products are manufactured by injection.



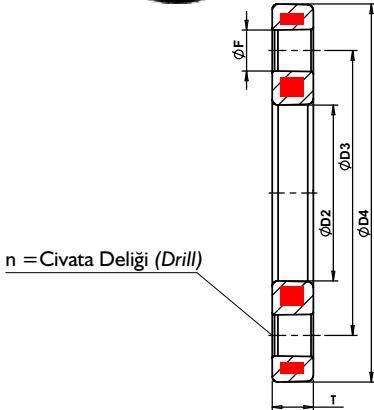
## PE FLANŞ ADAPTÖRÜ PE FLANGE ADAPTOR



D		KOD CODE	PN	D1	D2	L	L1	Z	S	Ambalaj Package
MM	INC									
20	1/2"	PEKL-020	16	28	45	41	7	76	3,0	100
25	3/4"	PEKL-025	16	34	58	41	9	81	3,0	50
32	1"	PEKL-032	16	42	68	44	10	85	3,0	40
40	1 1/4"	PEKL-040	16	48	78	49	11	88	3,7	70
50	1 1/2"	PEKL-050	16	58	88	55	12	92	4,6	50
63	2"	PEKL-063	10	78	102	63	14	98	3,8	60
75	2 1/2"	PEKL-075	10	92	122	70	16	107	4,5	60
90	3"	PEKL-090	10	108	138	79	17	116	5,4	45
110	4"	PEKL-110	10	128	158	82	17	128	6,6	24
125	4 1/2"	PEKL-125	10	135	158	87	18	132	7,4	16
140	5"	PEKL-140	10	158	188	92	18	142	8,3	12
160	6"	PEKL-160	10	178	212	98	18	145	9,5	12
200	7"	PEKL-200	10	235	268	112	24	174	11,9	4
225	8"	PEKL-225	10	238	268	120	24	179	13,4	4
250	9"	PEKL-250	10	288	320	129	25	195	14,8	2
280	10"	PEKL-280	10	294	320	139	25	205	16,6	2
315	12"	PEKL-315	10	338	370	150	25	216	18,7	2
355	14"	PEKL-355	10	376	430	164	30	233	21,1	1
400	16"	PEKL-400	10	430	480	179	33	246	23,7	1

Tüm ürünlerimiz enjeksiyondur.  
All our products are manufactured by injection.

## PP KAPLI ÇELİK FLANŞ PP FLANGE WITH STEEL CORE



n = Civata Deliği (Drill)

D		KOD CODE	PN	D2	D3	D4	T	F	n	Ambalaj Package
MM	INC									
20	1/2"	PEFL-020	16	28	65	95	12	14	4	85
25	3/4"	PEFL-025	16	34	75	105	12	14	4	68
32	1"	PEFL-032	16	42	85	115	16	14	4	52
40	1 1/4"	PEFL-040	16	51	100	140	16	18	4	20
50	1 1/2"	PEFL-050	16	62	110	150	18	18	4	15
63	2"	PEFL-063	16	78	125	165	18	18	4	15
75	2 1/2"	PEFL-075	16	92	145	188	18	18	4	15
90	3"	PEFL-090	16	108	160	204	20	18	8	10
110	4"	PEFL-110	16	128	180	224	20	18	8	10
125	4 1/2"	PEFL-125	16	135	180	224	20	18	8	10
140	5"	PEFL-140	16	158	210	252	24	18	8	6
160	6"	PEFL-160	16	178	240	285	24	22	8	6
200	7"	PEFL-200	10	188	295	340	24	22	8	4
225	8"	PEFL-225	10	235	295	340	27	22	8	4
250	9"	PEFL-250	10	238	350	395	27	22	12	4
280	10"	PEFL-280	10	288	350	395	30	22	12	4
315	12"	PEFL-315	10	294	400	445	30	22	12	2
355	14"	PEFL-355	10	338	460	514	34	22	16	1
400	16"	PEFL-400	10	376	515	571	40	22	16	1

Tüm ürünlerimiz enjeksiyondur.  
All our products are manufactured by injection.

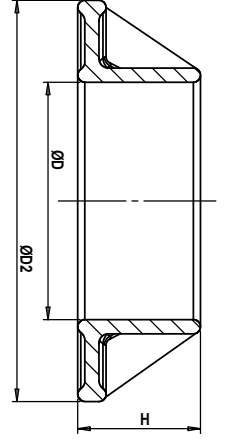


## U-PVC BETON GEÇİŞ FLANŞI U-PVC WALL CROSS FLANGES

D		KOD CODE	PN	D2	H
MM	INC				
50	1 ½"	FBG-050	10	85	26
63	2"	FBG-063	10	100	31,5
75	2 ½"	FBG-075	10	115	37
90	3"	FBG-090	10	133	42
110	4"	FBG-110	10	160	50,5
125	4 ½"	FBG-125	10	180	56,5
140	5"	FBG-140	10	200	62,5
160	6"	FBG-160	10	225	71
200	7"	FBG-200	10	272	87
225	8"	FBG-225	10	303	97
250	9"	FBG-250	10	334	107
280	10"	FBG-280	10	400	107
315	12"	FBG-315	10	400	107
355	14"	FBG-355	10	485	107
400	16"	FBG-400	10	485	107

Tüm ürünlerimiz enjeksiyondur.  
All our products are manufactured by injection.

YENİ ÜRÜN..!  
NEW PRODUCT..!



- ✓ Metrik yapıştırma soketli, uzun yapıştırma boyu  
*Metric female solvent socket, extra long bonding length*
- ✓ Yüksek kalite plastik enjeksiyon  
*High quality plastic injection*
- ✓ Dönmeyi engelleyen, sağlamlık kazandıran destekler  
*Special supports that prevent rotation and give stability*
- ✓ Sızdırmazlık sağlayan özel pürüzlü yüzey  
*Special rough surface for leakproofing*
- ✓ Ortam koşullarına ve mekanik etkilere üstün dayanım  
*Excellent mechanical and environmental strength*

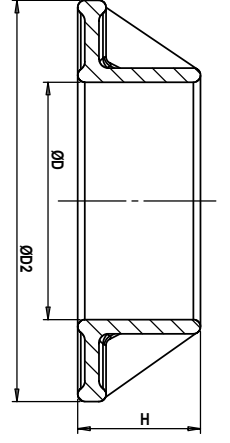


## U-PVC BETON GEÇİŞ FLANŞI U-PVC WALL CROSS FLANGES

D		KOD CODE	PN	D2	H
MM	INC				
50	1 ½"	FBG-050	10	85	26
63	2"	FBG-063	10	100	31,5
75	2 ½"	FBG-075	10	115	37
90	3"	FBG-090	10	133	42
110	4"	FBG-110	10	160	50,5
125	4 ½"	FBG-125	10	180	56,5
140	5"	FBG-140	10	200	62,5
160	6"	FBG-160	10	225	71
200	7"	FBG-200	10	272	87
225	8"	FBG-225	10	303	97
250	9"	FBG-250	10	334	107
280	10"	FBG-280	10	400	107
315	12"	FBG-315	10	400	107
355	14"	FBG-355	10	485	107
400	16"	FBG-400	10	485	107

Tüm ürünlerimiz enjeksiyondur.  
All our products are manufactured by injection.

YENİ ÜRÜN..!  
NEW PRODUCT..!

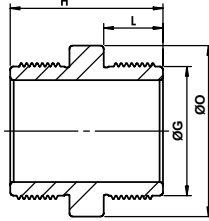


- ✓ Metrik yapıştırma soketli, uzun yapıştırma boyu  
*Metric female solvent socket, extra long bonding length*
- ✓ Yüksek kalite plastik enjeksiyon  
*High quality plastic injection*
- ✓ Dönmeyi engelleyen, sağlamlık kazandıran destekler  
*Special supports that prevent rotation and give stability*
- ✓ Sızdırmazlık sağlayan özel pürüzlü yüzey  
*Special rough surface for leakproofing*
- ✓ Ortam koşullarına ve mekanik etkilere üstün dayanım  
*Excellent mechanical and environmental strength*



## NİPEL NIPPLE

- ✓ BSP dış dişli  
BSP male threaded



D INC	KOD CODE	PN	L	H	G	O	AMBALAJ PACKAGE
1/2"	FNP-020	16	15	42	1/2"	24	900
3/4"	FNP-025	16	16,3	44	3/4"	30	550
1"	FNP-032	16	19,1	50	1"	36	300
1 1/4"	FNP-040	16	21,4	58	1 1/4"	46	180
1 1/2"	FNP-050	16	21,4	58	1 1/2"	50	140
2"	FNP-063	10	25,7	66	2"	65	70
2 1/2"	FNP-075	10	30,2	78	2 1/2"	80	35
3"	FNP-090	10	33,3	85	3"	95	70
4"	FNP-110	10	39,3	96	4"	120	40
4 1/2"	FNP-125	10	-	-	4 1/2"	-	1
5"	FNP-140	10	-	-	5"	-	1
6"	FNP-160	10	-	-	6"	-	1
7"	FNP-200	10	-	-	7"	-	1

Tüm ürünlerimiz enjeksiyondur.  
All our products are manufactured by injection.

## REDÜKSİYON REDUCTIONS

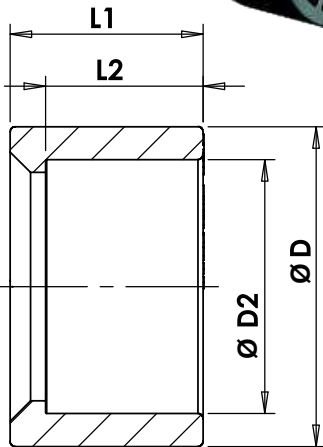
- ✓ Metrik iç ve dış yapıştırma soketli  
Metric male and female solvent socket



Model A



Model B



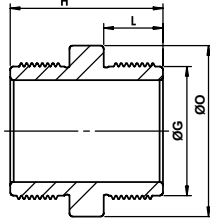
D		KOD CODE	PN	L1	L2	D2	MODEL	AMBALAJ PACKAGE
MM	INC							
25	3/4"	25-20	16	19	16	20	A	1800
32	1"	32-20	16	22	16	20	A	950
32	1"	32-25	16	22	19	25	A	950
40	1 1/4"	40-25	16	26	19	25	B	500
40	1 1/4"	40-32	16	26	22	32	A	500
50	1 1/2"	50-32	16	31	22	32	B	250
50	1 1/2"	50-40	16	31	26	40	A	250
63	2"	63-32	16	38	22	32	B	130
63	2"	63-40	16	38	26	40	A	130
63	2"	63-50	16	38	31	50	B	130
75	2 1/2"	75-50	16	44	31	50	B	75
75	2 1/2"	75-63	16	44	38	63	A	75
90	3"	90-50	16	51	31	50	B	45
90	3"	90-63	16	51	38	63	B	45
90	3"	90-75	16	51	44	75	A	45
110	4"	110-63	16	61	38	63	B	28
110	4"	110-75	16	61	44	75	B	28
110	4"	110-90	16	61	51	90	A	28
125	4 1/2"	125-90	16	69	51	90	B	45
125	4 1/2"	125-110	16	69	61	110	A	45
140	5"	140-90	16	76	51	90	B	35
140	5"	140-110	16	76	61	110	B	35
140	5"	140-125	16	76	69	125	A	35
160	6"	160-90	16	86	51	90	B	20
160	6"	160-110	16	86	61	110	B	20
160	6"	160-140	16	86	76	140	A	20
200	7"	200-160	16	106	86	160	B	12
225	8"	225-200	16	119	106	200	A	8
250	9"	250-225	16	131	119	225	A	
280	10"	280-250	16	147	131	250	A	
315	12"	315-280	16	164	147	280	A	
355	14"	355-280	16	184	147	280	A	
355	14"	355-315	16	184	164	315	A	
400	16"	400-355	16	206	184	355	A	

Tüm ürünlerimiz enjeksiyondur.  
All our products are manufactured by injection.



## NİPEL NIPPLE

- ✓ BSP dış dişli  
BSP male threaded



D INC	KOD CODE		PN	L	H	G	O	AMBALAJ PACKAGE
1/2"	FNP-020		16	15	42	1/2"	24	900
3/4"	FNP-025		16	16,3	44	3/4"	30	550
1"	FNP-032		16	19,1	50	1"	36	300
1 1/4"	FNP-040		16	21,4	58	1 1/4"	46	180
1 1/2"	FNP-050		16	21,4	58	1 1/2"	50	140
2"	FNP-063		10	25,7	66	2"	65	70
2 1/2"	FNP-075		10	30,2	78	2 1/2"	80	35
3"	FNP-090		10	33,3	85	3"	95	70
4"	FNP-110		10	39,3	96	4"	120	40
4 1/2"	FNP-125		10	-	-	4 1/2"	-	1
5"	FNP-140		10	-	-	5"	-	1
6"	FNP-160		10	-	-	6"	-	1
7"	FNP-200		10	-	-	7"	-	1

Tüm ürünlerimiz enjeksiyondur.  
All our products are manufactured by injection.

## REDÜKSİYON REDUCTIONS

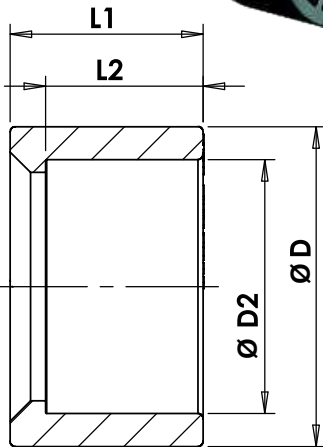
- ✓ Metrik iç ve dış yapıştırma soketli  
Metric male and female solvent socket



Model A



Model B

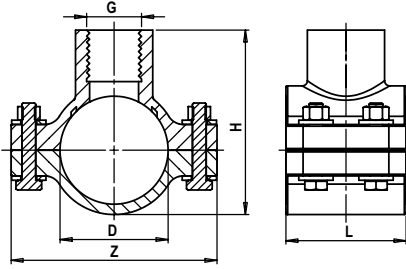


D		KOD CODE		PN	L1	L2	D2	MODEL	AMBALAJ PACKAGE
MM	INC								
25	3/4"	25-20		16	19	16	20	A	1800
32	1"	32-20		16	22	16	20	A	950
32	1"	32-25		16	22	19	25	A	950
40	1 1/4"	40-25		16	26	19	25	B	500
40	1 1/4"	40-32		16	26	22	32	A	500
50	1 1/2"	50-32		16	31	22	32	B	250
50	1 1/2"	50-40		16	31	26	40	A	250
63	2"	63-32		16	38	22	32	B	130
63	2"	63-40		16	38	26	40	A	130
63	2"	63-50		16	38	31	50	B	130
75	2 1/2"	75-50		16	44	31	50	B	75
75	2 1/2"	75-63		16	44	38	63	A	75
90	3"	90-50		16	51	31	50	B	45
90	3"	90-63		16	51	38	63	B	45
90	3"	90-75		16	51	44	75	A	45
110	4"	110-63		16	61	38	63	B	28
110	4"	110-75		16	61	44	75	B	28
110	4"	110-90		16	61	51	90	A	28
125	4 1/2"	125-90		16	69	51	90	B	45
125	4 1/2"	125-110		16	69	61	110	A	45
140	5"	140-90		16	76	51	90	B	35
140	5"	140-110		16	76	61	110	B	35
140	5"	140-125		16	76	69	125	A	35
160	6"	160-90		16	86	51	90	B	20
160	6"	160-110		16	86	61	110	B	20
160	6"	160-140		16	86	76	140	A	20
200	7"	200-160		16	106	86	160	B	12
225	8"	225-200		16	119	106	200	A	8
250	9"	250-225		16	131	119	225	A	
280	10"	280-250		16	147	131	250	A	
315	12"	315-280		16	164	147	280	A	
355	14"	355-280		16	184	147	280	A	
355	14"	355-315		16	184	164	315	A	
400	16"	400-355		16	206	184	355	A	

Tüm ürünlerimiz enjeksiyondur.  
All our products are manufactured by injection.



**PRIZ KOLYE**  
**SOCKET COLLAR**



D		G	KOD CODE	PN	Z	H	L
MM	INC						
32	1"	1/4"	FPK-032	10	-	-	-
32	1"	3/4"	FPK-033	10	-	-	-
40	1 1/4"	1/2"	FPK-040	10	-	-	-
40	1 1/4"	3/4"	FPK-041	10	-	-	-
40	1 1/4"	1"	FPK-042	10	-	-	-
50	1 1/2"	1/2"	FPK-050	10	-	-	-
50	1 1/2"	3/4"	FPK-051	10	-	-	-
50	1 1/2"	1"	FPK-052	10	-	-	-
63	2"	1/2"	FPK-063	10	121	105	82
63	2"	3/4"	FPK-064	10	121	105	82
63	2"	1"	FPK-065	10	121	105	82
75	2 1/2"	1/2"	FPK-075	10	133	120	88
75	2 1/2"	3/4"	FPK-076	10	133	120	88
75	2 1/2"	1"	FPK-077	10	133	120	88
90	3"	1/2"	FPK-090	10	147	142	88
90	3"	3/4"	FPK-091	10	147	142	88
90	3"	1"	FPK-092	10	147	142	88
110	4"	1/2"	FPK-110	10	168	162	105
110	4"	3/4"	FPK-111	10	168	162	105
110	4"	1"	FPK-112	10	168	162	105

Tüm ürünlerimiz enjeksiyondur.  
All our products are manufactured by injection.

**U-PVC KELEPÇELER**  
**U-PVC PIPE CLIPS**

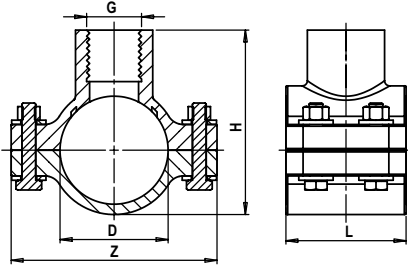


MALZEME CİNSİ DESCRIPTION	KOD NO CODE NO	AMBALAJ PACKAGE
20 mm. Kelepçe - Clip	FBK-020	500
25 mm. Kelepçe - Clip	FBK-025	400
32 mm. Kelepçe - Clip	FBK-032	300
40 mm. Kelepçe - Clip	FBK-040	200
50 mm. Kelepçe - Clip	FBK-050	100
63 mm. Kelepçe - Clip	FBK-063	200
75 mm. Kelepçe - Clip	FBK-075	100
90 mm. Kelepçe - Clip	FBK-090	100
110 mm. Kelepçe - Clip	FBK-110	100
125 mm. Kelepçe - Clip	FBK-125	100
160 mm. Kelepçe - Clip	FBK-160	50
200 mm. Kelepçe - Clip	FBK-200	30

Tüm ürünlerimiz enjeksiyondur.  
All our products are manufactured by injection.



**PRIZ KOLYE**  
**SOCKET COLLAR**



D		G	KOD CODE	PN	Z	H	L
MM	INC						
32	1"	1/4"	FPK-032	10	-	-	-
32	1"	3/4"	FPK-033	10	-	-	-
40	1 1/4"	1/2"	FPK-040	10	-	-	-
40	1 1/4"	3/4"	FPK-041	10	-	-	-
40	1 1/4"	1"	FPK-042	10	-	-	-
50	1 1/2"	1/2"	FPK-050	10	-	-	-
50	1 1/2"	3/4"	FPK-051	10	-	-	-
50	1 1/2"	1"	FPK-052	10	-	-	-
63	2"	1/2"	FPK-063	10	121	105	82
63	2"	3/4"	FPK-064	10	121	105	82
63	2"	1"	FPK-065	10	121	105	82
75	2 1/2"	1/2"	FPK-075	10	133	120	88
75	2 1/2"	3/4"	FPK-076	10	133	120	88
75	2 1/2"	1"	FPK-077	10	133	120	88
90	3"	1/2"	FPK-090	10	147	142	88
90	3"	3/4"	FPK-091	10	147	142	88
90	3"	1"	FPK-092	10	147	142	88
110	4"	1/2"	FPK-110	10	168	162	105
110	4"	3/4"	FPK-111	10	168	162	105
110	4"	1"	FPK-112	10	168	162	105

Tüm ürünlerimiz enjeksiyondur.  
All our products are manufactured by injection.

**U-PVC KELEPÇELER**  
**U-PVC PIPE CLIPS**



MALZEME CİNSİ DESCRIPTION	KOD NO CODE NO	AMBALAJ PACKAGE
20 mm. Kelepçe - Clip	FBK-020	500
25 mm. Kelepçe - Clip	FBK-025	400
32 mm. Kelepçe - Clip	FBK-032	300
40 mm. Kelepçe - Clip	FBK-040	200
50 mm. Kelepçe - Clip	FBK-050	100
63 mm. Kelepçe - Clip	FBK-063	200
75 mm. Kelepçe - Clip	FBK-075	100
90 mm. Kelepçe - Clip	FBK-090	100
110 mm. Kelepçe - Clip	FBK-110	100
125 mm. Kelepçe - Clip	FBK-125	100
160 mm. Kelepçe - Clip	FBK-160	50
200 mm. Kelepçe - Clip	FBK-200	30

Tüm ürünlerimiz enjeksiyondur.  
All our products are manufactured by injection.



## U-PVC BORULAR

### U-PVC PIPES

DIŞ ÇAP EXTERIOR DIAMETER	İNÇ INCHES	U-PVC BORULAR U-PVC PIPES			
		PN 6	PN 10	PN 16	ZONDER
20	1/2"	-	-	PN16-020	ZON-020
25	3/4"	-	PN10-025	PN16-025	ZON-025
32	1"	-	PN10-032	PN16-032	ZON-032
40	1 1/4"	PN06-040	PN10-040	PN16-040	ZON-040
50	1 1/2"	PN06-050	PN10-050	PN16-050	ZON-050
63	2"	PN06-063	PN10-063	PN16-063	ZON-063
75	2 1/2"	PN06-075	PN10-075	PN16-075	ZON-075
90	3"	PN06-090	PN10-090	PN16-090	ZON-090
110	4"	PN06-110	PN10-110	PN16-110	ZON-110
125	4 1/2"	PN06-125	PN10-125	PN16-125	ZON-125
140	5"	PN06-140	PN10-140	PN16-140	ZON-140
160	6"	PN06-160	PN10-160	PN16-160	ZON-160
200	7"	PN06-200	PN10-200	PN16-200	ZON-200
225	8"	PN06-225	PN10-225	PN16-225	ZON-225
250	9"	PN06-250	PN10-250	PN16-250	ZON-250
280	10"	PN06-280	PN10-280	PN16-280	-
315	12"	PN06-315	PN10-315	PN16-315	-
355	14"	PN06-355	PN10-355	PN16-355	-
400	16"	PN06-400	PN10-400	PN16-400	-



Lütfen fiyat sorunuz. / Please consult us.



## U-PVC BORULAR

### U-PVC PIPES

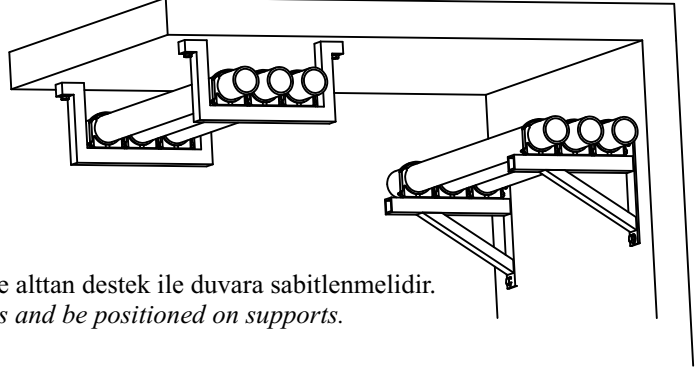
DIŞ ÇAP EXTERIOR DIAMETER	İNÇ INCHES	U-PVC BORULAR U-PVC PIPES			
		PN 6	PN 10	PN 16	ZONDER
20	1/2"	-	-	PN16-020	ZON-020
25	3/4"	-	PN10-025	PN16-025	ZON-025
32	1"	-	PN10-032	PN16-032	ZON-032
40	1 1/4"	PN06-040	PN10-040	PN16-040	ZON-040
50	1 1/2"	PN06-050	PN10-050	PN16-050	ZON-050
63	2"	PN06-063	PN10-063	PN16-063	ZON-063
75	2 1/2"	PN06-075	PN10-075	PN16-075	ZON-075
90	3"	PN06-090	PN10-090	PN16-090	ZON-090
110	4"	PN06-110	PN10-110	PN16-110	ZON-110
125	4 1/2"	PN06-125	PN10-125	PN16-125	ZON-125
140	5"	PN06-140	PN10-140	PN16-140	ZON-140
160	6"	PN06-160	PN10-160	PN16-160	ZON-160
200	7"	PN06-200	PN10-200	PN16-200	ZON-200
225	8"	PN06-225	PN10-225	PN16-225	ZON-225
250	9"	PN06-250	PN10-250	PN16-250	ZON-250
280	10"	PN06-280	PN10-280	PN16-280	-
315	12"	PN06-315	PN10-315	PN16-315	-
355	14"	PN06-355	PN10-355	PN16-355	-
400	16"	PN06-400	PN10-400	PN16-400	-



Lütfen fiyat sorunuz. / Please consult us.

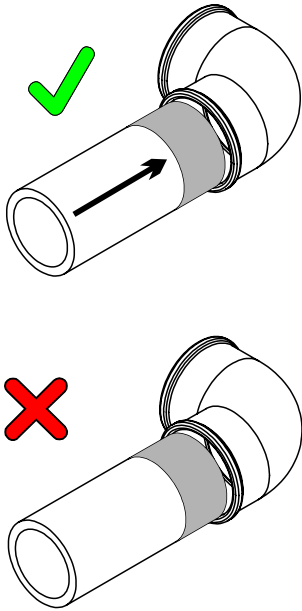


## KELEPÇE VE DESTEK KULLANIMI PIPE CLIPS AND BRACKET USE



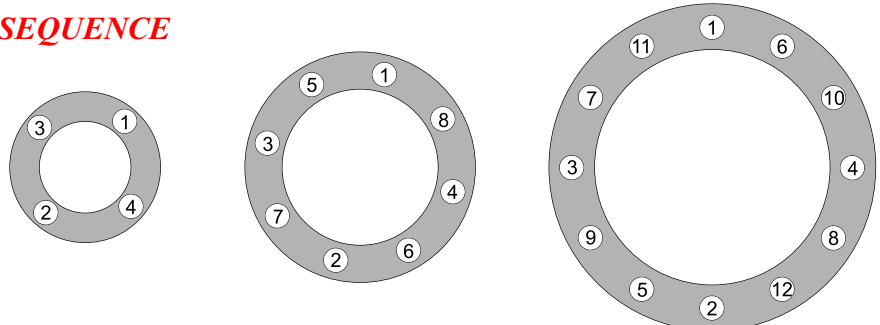
U-PVC borularda kapaklı kelepçe kullanılmalı ve alttan destek ile duvara sabitlenmelidir.  
U-PVC pipes must be fixed using slip on brackets and be positioned on supports.

## KELEPÇE VE YAPIŞTIRICI MİKTARI PIPE CLIPS AND CEMENT

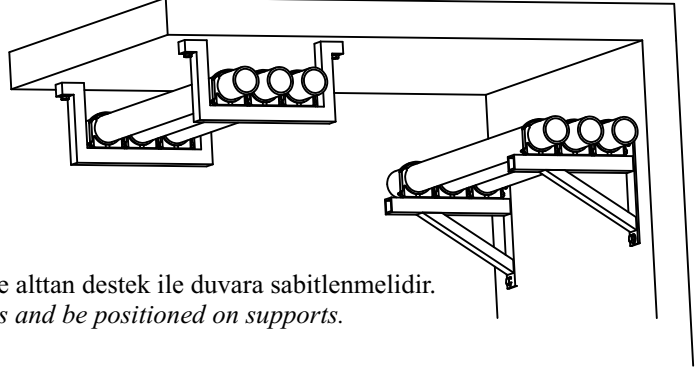


D		Kelepçe Aralıkları Bracket Spacing (m)			Bir litre yapıştırıcı ile yapıştırma sayısı Recommended joints per litre of cement
		20 °C	30 °C	40 °C	
MM	INC				
20	1/2"	0,90	0,80	0,60	375
25	3/4"	1,00	0,90	0,70	300
32	1"	1,10	0,95	0,75	250
40	1 1/4"	1,20	1,10	0,90	200
50	1 1/2"	1,30	1,20	1,00	110
63	2"	1,40	1,30	1,10	80
75	2 1/2"	1,50	1,40	1,20	55
90	3"	1,60	1,50	1,30	40
110	4"	1,90	1,80	1,60	25
125	4 1/2"	2,10	2,00	1,85	22
140	5"	2,20	2,10	1,90	18
160	6"	2,30	2,20	2,00	11
200	7"	2,60	2,45	2,30	7
225	8"	2,60	2,45	2,30	5
250	9"	2,80	2,70	2,55	4
280	10"	3,20	3,00	2,85	3
315	12"	3,60	3,40	3,20	2

## FLANŞ SIKMA SIRASI FLANGE TIGHTENING SEQUENCE

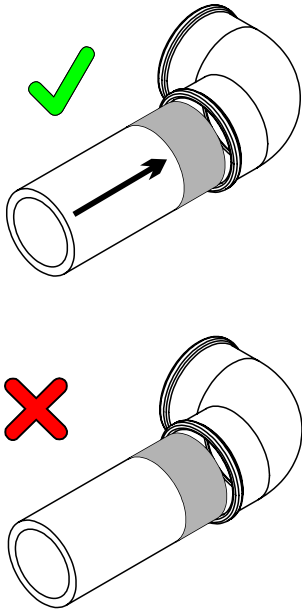


## KELEPÇE VE DESTEK KULLANIMI PIPE CLIPS AND BRACKET USE



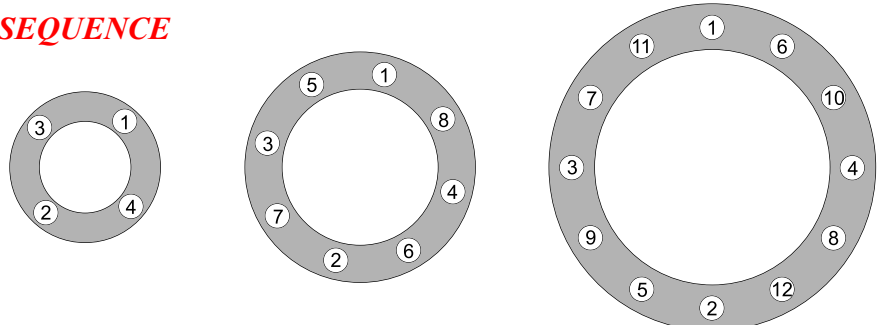
U-PVC borularda kapaklı kelepçe kullanılmalı ve alttan destek ile duvara sabitlenmelidir.  
U-PVC pipes must be fixed using slip on brackets and be positioned on supports.

## KELEPÇE VE YAPIŞTIRICI MİKTARI PIPE CLIPS AND CEMENT



D		Kelepçe Aralıkları Bracket Spacing (m)			Bir litre yapıştırıcı ile yapıştırma sayısı Recommended joints per litre of cement
		20 °C	30 °C	40 °C	
MM	INC				
20	1/2"	0,90	0,80	0,60	375
25	3/4"	1,00	0,90	0,70	300
32	1"	1,10	0,95	0,75	250
40	1 1/4"	1,20	1,10	0,90	200
50	1 1/2"	1,30	1,20	1,00	110
63	2"	1,40	1,30	1,10	80
75	2 1/2"	1,50	1,40	1,20	55
90	3"	1,60	1,50	1,30	40
110	4"	1,90	1,80	1,60	25
125	4 1/2"	2,10	2,00	1,85	22
140	5"	2,20	2,10	1,90	18
160	6"	2,30	2,20	2,00	11
200	7"	2,60	2,45	2,30	7
225	8"	2,60	2,45	2,30	5
250	9"	2,80	2,70	2,55	4
280	10"	3,20	3,00	2,85	3
315	12"	3,60	3,40	3,20	2

## FLANŞ SIKMA SIRASI FLANGE TIGHTENING SEQUENCE



**NOZBART RAKORLAR (U-PVC)**  
**NOZBART UNIONS (U-PVC)**

METRİK - METRIC TSE / ISO / DIN		IMPERIAL BS / ANSI / ASTM / AS / NZS		KOD CODE	DN mm	PN Bar	AMBALAJ PACKAGE
D mm	KOD CODE	D					
		INCH	mm	KOD CODE			
20	RPVC-020	1/2"	21,3	ARPVC-020	15	16	60
25	RPVC-025	3/4"	26,9	ARPVC-025	20	16	40
32	RPVC-032	1"	33,7	ARPVC-032	25	16	24
40	RPVC-040	1 1/4"	42,4	ARPVC-040	32	16	12
50	RPVC-050	1 1/2"	48,3	ARPVC-050	40	16	24
63	RPVC-063	2"	60,3	ARPVC-063	50	16	12
75	RPVC-075	2 1/2"	75,3	ARPVC-075	65	10	10
90	RPVC-090	3"	88,9	ARPVC-090	80	10	6
110	RPVC-110	4"	114,3	ARPVC-110	100	10	10



**U-PVC**

**NOZBART BİR TARAFI DIŞLI RAKORLAR (U-PVC)**  
**NOZBART ONE SIDE THREADED UNIONS (U-PVC)**

METRİK - METRIC TSE / ISO / DIN		IMPERIAL BS / ANSI / ASTM / AS / NZS		KOD CODE	DN mm	PN Bar	AMBALAJ PACKAGE
D mm	KOD CODE	D					
		INCH	mm	KOD CODE			
20	RPVC-021	1/2"	21,3	ARPVC-021	15	16	60
25	RPVC-026	3/4"	26,9	ARPVC-026	20	16	40
32	RPVC-033	1"	33,7	ARPVC-033	25	16	24
40	RPVC-041	1 1/4"	42,4	ARPVC-041	32	16	12
50	RPVC-051	1 1/2"	48,3	ARPVC-051	40	16	24
63	RPVC-064	2"	60,3	ARPVC-064	50	16	12
75	RPVC-076	2 1/2"	75,3	ARPVC-076	65	10	10
90	RPVC-091	3"	88,9	ARPVC-091	80	10	6
110	RPVC-111	4"	114,3	ARPVC-111	100	10	10



**U-PVC**





**NOZBART RAKORLAR (U-PVC)**  
**NOZBART UNIONS (U-PVC)**

METRİK - METRIC TSE / ISO / DIN		IMPERIAL BS / ANSI / ASTM / AS / NZS		KOD CODE	DN mm	PN Bar	AMBALAJ PACKAGE
D mm	KOD CODE	D					
		INCH	mm	KOD CODE			
20	RPVC-020	1/2"	21,3	ARPVC-020	15	16	60
25	RPVC-025	3/4"	26,9	ARPVC-025	20	16	40
32	RPVC-032	1"	33,7	ARPVC-032	25	16	24
40	RPVC-040	1 1/4"	42,4	ARPVC-040	32	16	12
50	RPVC-050	1 1/2"	48,3	ARPVC-050	40	16	24
63	RPVC-063	2"	60,3	ARPVC-063	50	16	12
75	RPVC-075	2 1/2"	75,3	ARPVC-075	65	10	10
90	RPVC-090	3"	88,9	ARPVC-090	80	10	6
110	RPVC-110	4"	114,3	ARPVC-110	100	10	10



**U-PVC**

**NOZBART BİR TARAFI DIŞLI RAKORLAR (U-PVC)**  
**NOZBART ONE SIDE THREADED UNIONS (U-PVC)**

METRİK - METRIC TSE / ISO / DIN		IMPERIAL BS / ANSI / ASTM / AS / NZS		KOD CODE	DN mm	PN Bar	AMBALAJ PACKAGE
D mm	KOD CODE	D					
		INCH	mm	KOD CODE			
20	RPVC-021	1/2"	21,3	ARPVC-021	15	16	60
25	RPVC-026	3/4"	26,9	ARPVC-026	20	16	40
32	RPVC-033	1"	33,7	ARPVC-033	25	16	24
40	RPVC-041	1 1/4"	42,4	ARPVC-041	32	16	12
50	RPVC-051	1 1/2"	48,3	ARPVC-051	40	16	24
63	RPVC-064	2"	60,3	ARPVC-064	50	16	12
75	RPVC-076	2 1/2"	75,3	ARPVC-076	65	10	10
90	RPVC-091	3"	88,9	ARPVC-091	80	10	6
110	RPVC-111	4"	114,3	ARPVC-111	100	10	10



**U-PVC**

